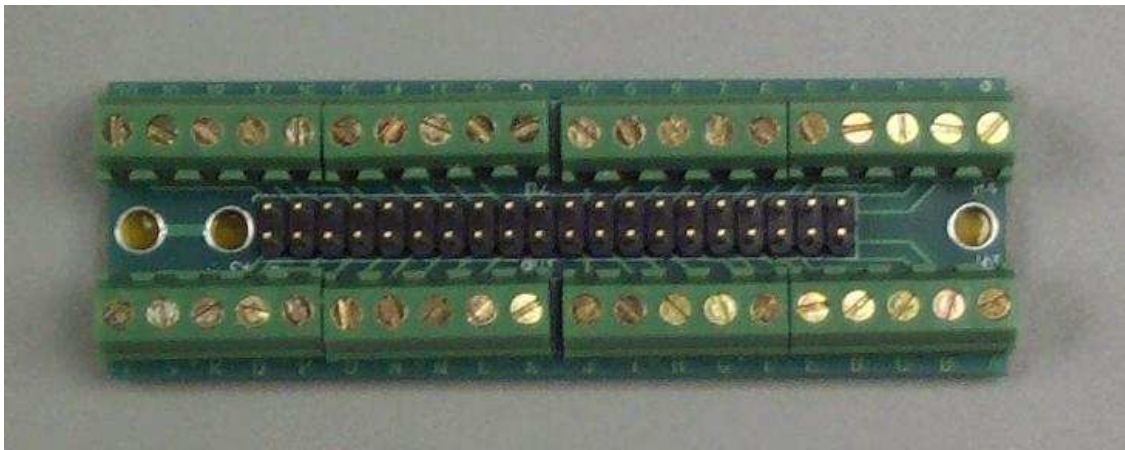


# W40<sup>TM</sup>

40 Signal Screw Terminal / Pin Header Interface



## *Technical Manual*



1950 5<sup>th</sup> Street, Davis, CA 95616, USA  
Tel: 530-758-0180 Fax: 530-758-0181  
Email: [sales@tern.com](mailto:sales@tern.com)

<http://www.tern.com>

COPYRIGHT

W40 is trademarks of TERN, Inc.

Version 2.0

November 2, 2010



© 1993 - 2010

1950 5<sup>th</sup> Street, Davis, CA 95616, USA

Tel: 530-758-0180 Fax: 530-758-0181

Email: [sales@tern.com](mailto:sales@tern.com)

<http://www.tern.com>

**Important Notice**

*TERN* is developing complex, high technology integration systems. These systems are integrated with software and hardware that are not 100% defect free. ***TERN products are not designed, intended, authorized, or warranted to be suitable for use in life-support applications, devices, or systems, or in other critical applications.*** *TERN* and the Buyer agree that *TERN* will not be liable for incidental or consequential damages arising from the use of *TERN* products. It is the Buyer's responsibility to protect life and property against incidental failure.

*TERN* reserves the right to make changes and improvements to its products without providing notice.

Temperature readings for controllers are based on the results of limited sample tests; they are provided for design reference use only.



1950 5<sup>th</sup> Street, Davis, CA 95616, USA

Tel: 530-758-0180 Fax: 530-758-0181

Email: [sales@tern.com](mailto:sales@tern.com)

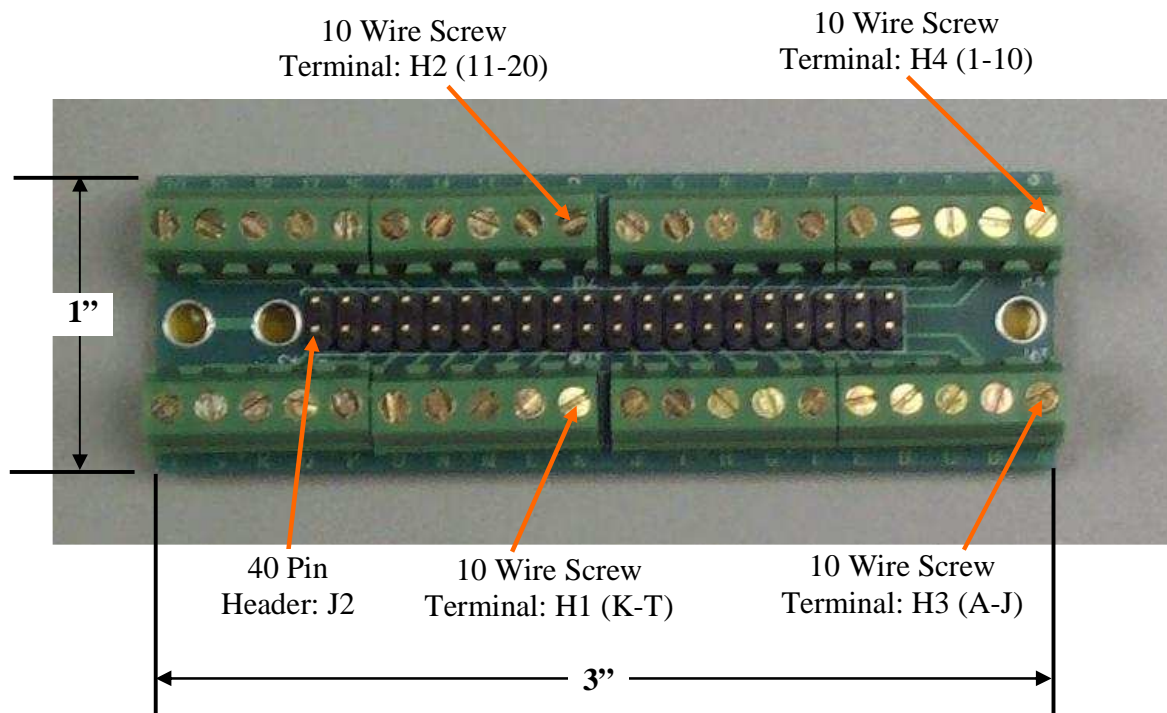
<http://www.tern.com>

**Purpose:**

Aid in prototyping of embedded controllers and systems. Allows for easy exchange between types of connections.

**Features:**

- \* 3" x 1"
- \* Mounting holes
- \* 40 screw terminals
- \* 40 pin header

**Layout/Measurements:**

1950 5<sup>th</sup> Street, Davis, CA 95616, USA  
Tel: 530-758-0180 Fax: 530-758-0181  
Email: [sales@tern.com](mailto:sales@tern.com)

<http://www.tern.com>

**Pin Assignments:**

The following table shows the screw terminal – pin header assignments. Screw terminals are H1-H4 and the 20x2 pin header is J2. A few examples: H1.T = J2.1 and H4.2 = J2.38.

		J2				
H1	T	1	2	20	H2	
	S	3	4	19		
	R	5	6	18		
	Q	7	8	17		
	P	9	10	16		
	O	11	12	15		
	N	13	14	14		
	M	15	16	13		
	L	17	18	12		
	K	19	20	11		
H3	J	21	22	10	H4	
	I	23	24	9		
	H	25	26	8		
	G	27	28	7		
	F	29	30	6		
	E	31	32	5		
	D	33	34	4		
	C	35	36	3		
	B	37	38	2		
	A	39	40	1		



1950 5<sup>th</sup> Street, Davis, CA 95616, USA  
 Tel: 530-758-0180 Fax: 530-758-0181  
 Email: [sales@tern.com](mailto:sales@tern.com)

<http://www.tern.com>